



# The OSCILLATOR

Volume 34 Issue 1  
JANUARY 2011



Editor: Everett W6ABM  
w6abm@arrl.net

## Oregon Tualatin Valley Amateur Radio Club



### "MY TWO CENTS" Pat Roberson

I hope everyone attending our Holiday Dinner had a good time. The food was great and the gift exchange was fun. Santa was in rare form, even doing a standup comedy bit (at least a couple of jokes). Special thanks go to Warren and Barb Winner, Santa Ollie (Mel Sutton), and Kristin Tomson for making this event a success.

Vice President Herb Hurst K7HLH has volunteered to be liaison for the Board of Directors with the SEA-PAC Committee. This fills an important position. The SEA-PAC Committee oversees the clubs' sponsorship of The Northwestern Division Convention at Seaside each June. Thank you Herb for stepping up. I hope you'll join other members as a volunteer at this year's SEA-PAC.

Welcome to our new slate of officers. Your Board of Directors are introduced on this page. Thank you to Joel Simmons AD7IS and Jenny Roberson K7JLR for their dedication to the Board of Directors. I'd like to welcome Warren Winner W7JDT as our new Treasurer. Warren was the original Treasurer when the club was formed 33 years ago.

See TWO CENTS, Page 4

### YOUR 2011 BOARD OF DIRECTORS

The Election for the 2011 Board of Directors is complete. Thank you for returning your ballot. Two new board members are joining our elected leadership, Warren Winner W7JDT as Treasurer and Everett Curry W6ABM as Secretary. Both have served in these roles in previous years. Alvin Carlson was elected as a Trustee after completing 7 years as Treasurer.

Thank you to retiring Trustee, Joel Simmons AD7IS. Joel has been a supportive and active Trustee, and to Jenny Roberson K7JLR who served as our Secretary and filled other tasks as well. Wes Allen K7WWG was re-elected in the Trustee role, as were Pat Roberson K7PAT as president and Herb Hirst K7HLH as vice president.

Thank you to our Elections Committee:

Jenny Roberson K7JLR  
Jim Schaeffer KB7ADH  
Kristin Tomson K7KWT  
Janet Bell WB7FJC

Your Elections Committee is responsible for the recruitment of candidates, receiving of nominations from the floor, organization of the Election, receiving completed ballots and ballot counting.

### CLUB MEETING THURSDAY, JANUARY 20th

OTVARC is affiliated with ARRL: The National Association for Amateur Radio and is a *Special Service Club*. We meet at the *Community Building, Sunset Presbyterian Church, 14986 NW Cornell Rd, just off US 26 (Exit 65) in Beaverton*. Check out the map at: [tinyurl.com/otvarc-site](http://tinyurl.com/otvarc-site)

Our January program will feature Everett Curry W6ABM and is entitled "*HF POTPOURRI.*" Everett has a collection of brief subjects on high frequency operation. If you haven't been active on the HF bands, this is for you. If you're an old hand at HF, come to be sure the content passes the "real-world" test.

Our meetings open at 7:00 pm. Guests are always welcome. An amateur radio license is not required.

### REGISTER ONLINE FOR

SEA-PAC 2011

June 3 - 5, 2011

[www.seapac.org](http://www.seapac.org)

## QRP CW NET OPENS

The North America QRP CW Club exists to encourage use of CW and to help all hams increase CW speed and proficiency. Club activities are dedicated to QRP/QRPP operation, using CW. Some also place emphasis on using simple wire antennas.

On Wednesday, January 5th a Pacific Northwest NAQCC low power slow speed net will hold its first session. Opening at 6:00 pm local on Wednesdays, the net will meet on 3575 KHz (0200Z ThursdayZ). The net will be a QRP QRS round robin ragchew net. It is anticipated that coverage will be possible for Washington, Oregon, Idaho and Northern California, and others depending on propagation. Portland area stations without NVIS capability may have difficulty checking in depending on propagation. Please ask for a relay if needed.

Initial Net Control Station will be Stewart KE7LKW, running QRP, in White Salmon, WA. White Salmon is 65 miles east of Portland OR. The call-up will be CQ CQ PNW NQN DE KE7LKW QNI? or similar. For inquiries please e-mail Stewart at KE7LKW@Winlink.org or stewart@gorge.net. Give it a try!

Several of our members are already involved with NAQCC.

## YOUR 2011 BOARD

### Officers:

Pat Roberson N7PAT, President  
 Herb Hirst K7HLH, Vice President  
 Everett Curry W6ABM, Secretary  
 Warren Winner W7JDT, Treasurer

### Trustees:

Wes Allen K7WWG (2012)  
 Alvin Carlson KB7VHI (2012)  
 JD Fort K7JDF (2011)  
 Phil Kane K2ASP (2011)  
 Ron O'Connor KD7VIK (2011)

## CLUB COMMUNICATION

Staying informed about Club life is every member's assignment. The Club has maintained The OSCILLATOR as it's monthly tool for communication, adding a website, [www.otvarc.org](http://www.otvarc.org), during the presidency of Betty Mickley N7REX (1997 - 1999). These tools assist in telling the ham radio community what OTVARC is doing. Copies of our monthly newsletter are passed along to the known editors of other club publications, too.

At one time, The OSCILLATOR was entirely a print publication. Nearly a decade ago, the publication began to evolve from a "community in-house" piece filled with jokes, recipes, and stories with meaning only to members to a more serious journal of club life. Today, it carries club news, education, notices of ham radio events, and serves the membership with calendar and reports of events and projects. Our Board has been working to increase the number of "voices" heard in its' journal.

The website is the primary source of club contact information, schedules, and general club life. Content on the web is updated most weeks. Where The OSCILLATOR is issued on a monthly basis, the WEB is continually updated. Stories do not wait for the monthly deadline for The OSCILLATOR...but appear on a timely schedule. These two sources of information are complimentary and support one another. Please check the OTVARC WEB at least once a week to stay informed.

During 2011, we will begin moving routine calendar and contact information to the OTVARC Web and reserve space in The OSCILLATOR for articles of interest to our members rather than lists of phone numbers and calendar dates. We'll notify members via email when a significant update or alert is posted on the Web. Not wanting to leave those members who do not use the Web and Email without contact, we will continue to issue a postal mail version of The OSCILLATOR each month.

Have an area of interest you'd like to see covered in The OSCILLATOR or on The OTVARC WEB? Share your interest with the editor and web master, Everett W6ABM, at [w6abm@arrl.net](mailto:w6abm@arrl.net).

## JANUARY DXPEDITIONS ACTIVITY

### SPRATLY ISLANDS DXPEDITION

Spratly Islands (Thitu Island)  
6th Jan - 1st Feb 2011  
IOTA: AS-051  
ITU: 50  
CQ Zone: 26  
Grid Loc: OK71db

Thitu Island (Pagasa in Filipino) is the second largest island in the Spratly Islands in the South China Sea, at 11 deg N by 118.25 deg E. The island has a landing strip and a small harbor. There are 100 inhabitants, mostly military, fishermen and a weatherman on the island.

The Spratly Islands Team will deploy to erect and operate twelve Ham Radio stations to provide Pag-Asa with a Global focus to promote regional tourism in the Philippines and provide radio hams a chance to log this remote region. The Team Doctors, Dr. Josette VK2FXGR and Dr. Edward 4F1OZ will perform a humanitarian Medical Mission performing health checks of the islands' inhabitants.



### SOUTH ORKNEY ISLANDS DXPEDITION

January 27 to February 8 will find the Microlite Penguins DXpedition Team activating the South Orkney Islands for the fourth time. Activity will be on all HF bands 160 meters through 10 meters using SSB, CW and RTTY. The Islands are located at 60°35' S by 45°30' W, 8,706 statute miles from Beaverton.

Twelve operators are involved in this project. VP8ORK will have capability to have stations on 75/80 meters and 160 meters from sunset to sunrise for two weeks. The Orkneys are on Atlantic Standard Time (UTC-4). They will operate on 40 meters and up as well. Updated information at: [www.vp8o.com/vp8news2.html](http://www.vp8o.com/vp8news2.html).

## ARISSat-1 TO LAUNCH IN JANUARY

The ARISSat-1 satellite, originally designed to be orbited in a surplus Russian spacesuit hand-launched from the International Space Station (ISS), has passed all of its pre-launch tests and is slated to head to the space station in January aboard a Progress supply rocket. It is expected to be launched into its own orbit in February by the ISS crew.

The Space Station will Sport Two Ham Stations. A second ham radio station is due to be installed on the International Space Station, consisting of two handhelds from the original ham station that have since been replaced by a dual-band transceiver. To be installed in the International Space Station (ISS), the new station has passed all of its pre-launch tests and is slated to head to the space station in January aboard a Progress supply rocket.

## FULL WAVE LOOPS

Full-wave loops are popular antennas. They are especially useful on 80 and 40 meters where they perform well at modest heights. Horizontal loops may be fed at any convenient spot. Make your horizontal loop into a square, especially if it is to be used on several bands. The Vertical Loop is a good DX antenna. The shape can be a circle, square, rectangle or a triangle. The larger the area of the loop the better it will work.

Feed square and rectangular loops at a corner. Triangular loops should be supported apex-down. This puts less of the antenna parallel with the ground and increases the effective height. Feed triangular loops either at a corner or in the case of apex-down loop, at the apex. Experiment this winter with an attic mounted loop.

## CLUB FREQUENCIES

Simplex: 147.54 MHz  
Repeaters: 146.96 MHz (Goat Mtn)  
223.94 MHz (Goat Mtn)  
440.25 MHz (Goat Mtn)

**WORLDWIDE DISTRIBUTION**



**HAM  
RADIO  
OUTLET**

11705 SW PACIFIC HWY  
(99W) SUITE Z  
PORTLAND, OR 97223

**SERVING YOU:**  
*Leon, W7AD, Manager  
and  
Dan, N7UDE*

Now purchasing select estates  
and used equipment on the spot.  
*Contact Leon*

Call toll-free from OR, WA, ID, AK  
**1-800-854-6046**  
In Portland 503-598-0555  
Fax 503-684-0469



PORTLAND, OR ANAHEIM, CA DENVER, CO OAKLAND, CA  
PHOENIX, AZ SALEM, NH SAN DIEGO, CA NEWCASTLE, DE  
SUNNYVALE, CA VAN NUYS, CA WOODBRIDGE, VA

### LOOKING AHEAD

- January 20 Club Meeting
- February 17 Club Meeting
- March 17 Club Meeting
- March 30 Fifth Wednesday Contest
- April 21 OMSI/K7SUB Event
- May 8 33rd Anniversary
- June 3 -5 SEA-PAC 2011
- June 16 Club Meeting
- June 25 - 26 Field Day
- August 18 Club BBQ & Ice Cream Social

### TWO-CENTS, from Page 1

The 2010 Board of Directors did a great job of finding a new meeting location, updating the Constitution and By-Laws, Field Day, and a great slate of programs and events. I look forward to working with the 2011 Board.

I hope you have had a great Holiday Season. See you at the next meeting, January 20th.

Pat Roberson,  
President, OTVARC

### HOLIDAY DINNER

Your 2010 Holiday Dinner was a great success. Warren and Barb Winner coordinated the event for the Club. A catered-meal was served to more than fifty members and their spouses. The meal was underwritten, in part, by proceeds from your volunteer work at SEA-PAC.

Santa Ollie OTVARC (Mel Sutton) appeared to referee the Annual Gift Exchange. Santa demonstrated his "stand up" skills for the first time, and though he will keep his "day job" he'll continue building his Repertoire.

The usual "drawing" was held with gifts located by Kristin Tomson. The main drawing of the evening, in which everyone participated, was for a 3-day 2-night stay at any Shilo Inn. Jack and Carol Smithson took away this prize. Jack & Carol sent along this, "We so enjoyed the OTVARC Christmas party. It's the best we've attended, we appreciate the Shilo Inn gift certificate."

The club members donated over a hundred pounds of food for the "Helping Hands" group. These items were used in their annual food and gift distribution project at Christmas time.

### HAM RADIO ABOARD MV POLAR STAR



Roger AC9Y will be active as 8P9PS between January 26th and February 8th from a makeshift Ham Radio Station onboard the MV Polar Star, near the Antarctic Peninsula. He doesn't know what the daily schedule will be at deadline. However, he expects to operate on 20 meters and after 2300z (3:00 pm PST). Depending on weather and the ship's schedule, Roger hopes to be on the air near daily.

Equipment will be an ICOM IC-7000 and High Sierra Sidekick mounted on an outdoor hand rail. 8P9PS is a Barbadian call sign. The Motor Vessel Polar Star is registered in Barbados and carries the Barbadian flag. QSL 8P9PS via AC9Y.

**HAMFESTS & CONVENTIONS**

**19 FEBRUARY 2011**

**Salem Hamfair**

Salem Repeater Association  
 Polk County Fairgrounds  
 520 South Pacific Highway West  
 Rickreall, OR 97371  
 www.w7sra.org  
 Talk-In: 146.86 (PL 186.2)  
 Donald Brusck K7UN  
 PO Box 5130  
 Salem, OR 97304-0130  
 503.931.8751  
 k7un@arrl.net

**15 - 17 APRIL 2011**

**62nd International DX Convention**

Northern California DX Club  
 www.dxconvention.org  
 info@dxconvention.org  
 The Holiday Inn Hotel & Conf Center  
 Visalia, California  
 Room rates - \$99.00  
 Reservations - 559.651.5000

**3 - 5 JUNE 2011**

**SEA-PAC**

**NW Division ARRL Convention**  
 Seaside Convention Center, Seaside Oregon  
 www.seapac.org  
 C. Wayne Schuler AI9Q  
 16414 NE 21st Street  
 Vancouver, WA 98684

Your business advertising in THE OSCILLATOR is seen each month by more than 200 members who read THE OSCILLATOR. To include your "Business Card" ad (\$48.00 annually) or "Display" - HRO size ad (\$60.00 annually), contact Maureen O'Rourke at 503.591.9641.



Happy New Year!  
 Your lips will be off to a good start this year if they have some soothing lip balm on them...

Use Oregon Trail Lip Balm

**OREGON TRAIL LIP BALM**

Created by: Maureen O'Rourke KA7LAP  
 mcorourke@netzero.com

Available at Central Drug - Downtown Portland at 4th and Alder

**DC POWER**

**Anderson Connectors & More**

Wes Allen, K7WWG  
 665 SW 167th Ave • 503-531-4081  
 Beaverton, OR 97006  
 e-mail: sales@dcpwr.com  
 Web: www.dcpwr.com

**JANUARY LUNCH BUNCH**

**Saturday January 22nd at 1:30 PM**

**Village Inn**  
**10650 SW Beaverton Hillsdale Hwy**  
**Beaverton**  
**503.644.8848**

Questions?

Linda KC7YTD  
 kc7ytd@gmail.com  
 503.246.8879

Interested in knowing what hams share your grid square? Go to [www.qrz.com/db/](http://www.qrz.com/db/) and place "grid: cn85mm" (use your grid square, not mine) into the search box. QRZ will return the calls, name and address of everyone who has a license address in your square.

Your grid square may be determined, if not already known, by searching QRZ.COM and selecting **DETAIL** tab. Your Grid Square is on the list along with your latitude and longitude. If your address is a postal box, the grid and coordinates will be based on the "common" ones for your city.

**HAPPY JANUARY BIRTHDAY**

1	Natalie Mealer	WA6QVM
6	Will Sheffield	N7THL
6	Arnold Jensen	W7DSA
8	Ted Geroux	KE7BTY
8	Bob Scott	W7AFR
13	Mark Dinsmore	KF7HNA
16	Herb Richardson	KB7SFJ
18	George Brennfleck	W7ILS
23	Margie Simmons	KE7HUR
24	Jack Smithson	KA7HOJ
27	Marvel Noyes	KA7TZT
30	Rosy Green	KD7PGH

## 2011 MEMBERSHIP DUES

Annual dues are levied in accordance with the provisions of Article V of the Club's CONSTITUTION for the purpose of providing funds for the club's obligations. Dues are paid, in advance, in total, in January of each year.

Membership Renewal Notices have been postal mailed to members, except LIFE Members and those who have paid in advance for 2011. A member is delinquent in dues if not received by the Secretary or Treasurer on or before January 31st. Those unpaid by that date will appear as Members on the 2011 Club Roster.

Dues for 2011 are \$20.00 per member or \$25.00 for all members at the same postal address. Dues are set by a vote of the membership.

Questions about Membership may be referred to Everett W6ABM, Membership Chairman, w6abm@arrl.net

## Islands, Castles & Portable Operations

If you are looking for the most comprehensive ham radio activity listing on the internet, Dave Raycroft's ICPO is for you. Each week, Dave VE3RJ posts his collected notices of ham radio operations and events on the news site operated by Southgate Amateur Radio Club [www.southgatearc.org/](http://www.southgatearc.org/). His own site, located at: [webhome.idirect.com/~va3rj/icpo\\_arch11.html](http://webhome.idirect.com/~va3rj/icpo_arch11.html) maintains an archive of previous reports. You may sign up to receive ICPO as issued via email, too. Ray provides this service to amateur radio on a "donate" basis.

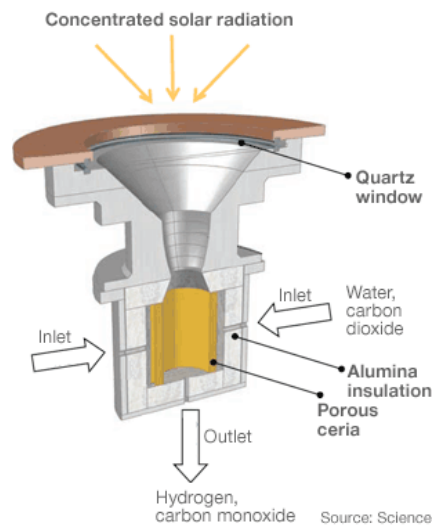
ICPO carries notes on County Hunting, Island and Lighthouse activation, and QSL Managers and addresses for portable operations. Here is an example of one of his listings:

*01/01/2011: Celebrating the 150th anniversary of the Unification of Italy, three special call signs will be used throughout 2011 by members of ARI Torino (I11ITA), ARI Firenze (I15ITA) and ARI Rome (I10ITA). All of the QSOs will be confirmed automatically via the bureau. Details on the event and the special edition of the Diploma dell'Unità d'Italia (Italian Unification Award) can be found at: [www.dui150.it/](http://www.dui150.it/)*

## SOLAR STORAGE TECHNOLOGY

The journal Science reports that a prototype solar device to store energy has been developed. The technology uses the Sun's energy to break down carbon dioxide or water into fuels. The metal being studied is an oxide called ceria. The breakthrough is in the ability of these fuels to be stored and transported. Photovoltaic cell panels generate energy that must be used almost immediately and cannot produce at night. The research is being studied by scientists in the US and Switzerland.

The prototype uses a quartz window and cavity to concentrate sunlight into a cylinder lined with cerium oxide, also known as ceria. This oxide has a natural propensity to exhale oxygen as it heats up and inhale it as it cools down.



If as in the prototype, carbon dioxide and/or water are pumped into the vessel, the ceria will rapidly strip the oxygen from them as it cools, creating hydrogen and/or carbon monoxide. Hydrogen produced could be used to fuel

hydrogen fuel cells in cars while a combination of hydrogen and carbon monoxide can be used to create "syngas" for fuel.

The existing device is highly inefficient but is a start in this important area of energy development. It has been suggested that the device mimics plants, which use carbon dioxide, water and sunlight to create energy as part of the process of photosynthesis. Prof. Sossina Haile at Caltech thinks the analogy is over-simplistic. "Yes, the reactor takes in sunlight, we take in carbon dioxide and water and we produce a chemical compound, so in the most generic sense there are these similarities, but I think that's pretty much where the analogy ends."

## The KPH Project - KSM

In cooperation with the Point Reyes National Seashore (National Park Service), the Maritime Radio Historical Society (MRHS) has taken on the job of preserving the historic ex-RCA coast station KPH and returning it to the air. The split location is Bolinas and Pt. Reyes, California. The call letters KSM were originally assigned to a station of the Robert Dollar Company. The station was located near Los Angeles. It operated on 500 KHz and eight frequencies in the HF band. The MRHS was granted its own commercial coast station license they were pleased to be assigned the historic call sign, KSM.

KSM is a commercial, common carrier coast station in the grand tradition of KPH. When the license for KPH was sold to Globe Wireless the MRHS believed it needed its own coast station to carry on the traditions and preserve the skills and the art of maritime radio through actual use.

KSM uses the original transmitters, receivers and antennas of KPH. The station is licensed for communications with ships at sea using both CW and RTTY modes in the MF and HF marine bands. KSM accepts traffic from ships at sea for onward transmission to addressees ashore. No charge is made for this service.

KSM uses two modes of "RTTY": Baudot and FEC. Baudot transmissions are at 170cps shift, 45 baud. FEC transmissions are at 170cps shift, 100 baud.

On CW, KSM broadcasts its "wheel" (a repeating message inviting ships to call). When working ships, the KSM operator keys all frequencies so listeners will be able to hear the shore side of the contact no matter what frequency they are monitoring. All maritime radio operations are duplex. Once the ship makes contact with KSM it shifts from the calling to a working frequency. The KSM operator repeats this frequency so listeners can attempt to hear the ship. KSM sends high seas weather for the Pacific at 2130 UTC at 25 words per minute. This is easily heard in Oregon. On RTTY, KSM broadcasts marine weather and press information alternating between the two modes listed above.

## AMATEUR STATION K6KPH

The Maritime Radio Historical Society operates an amateur radio station at the KPH/KSM site. The station amateur station uses some of the KPH transmitters and antennas and signs a call associated with the original station. Any visitor who knows Morse can operate - no license required. MRHA personnel serve as the control operators. To "sit the circuit" as KSM an FCC Commercial Radiotelegraph ticket is required, which the KSM operator can endorse for operation at the station.

Drop ins are fine but a minimum of a week advance notice would allow us to confirm that we'll be present. The day starts at the transmitter site in Bolinas, California for Services of the Church of the Continuous Wave at 0900. Press transmission on KSM starts at 1000 in Morse, 1100 in RTTY. The operators usually leave at 1100 for the receive site in Point Reyes to activate live control of KSM and K6KPH.

The Maritime Radio Historical Society (MRHS) is a small group of dedicated individuals who share the goals of documenting, preserving and restoring the artifacts of maritime radio history.

## AMATEUR RADIO BRINGS US TOGETHER

We are living in a world that is troubled by tribal competition and strife — often over long-held bias. Our news sources remind us daily that our economic, cultural, religious, and political often bring us to personal and national disputes.

Amateur Radio is an influence that brings the world's peoples together. Our conversations are usually not on these subjects in a QSO, yet as we become better aware of the manner of life of our "contacts" we are more inclined to want to know more about them. This feature of amateur radio is one of its contributions to communication between differing groups.

As you make contacts outside your usual circle of amateur radio friends, remember to allow your curiosity to drive your QSO. Exchange good wishes.

- Everett W6ABM

CLUB MEETING  
JANUARY 20TH



FIRST CLASS MAIL

OREGON TUALATIN VALLEY  
AMATEUR RADIO CLUB  
880 NE 25th Ave. Ste 2-160  
Hillsboro OR 97124-6258



29th Year

**NORTHWESTERN DIVISION ARRL CONVENTION  
SEASIDE CONVENTION CENTER  
Seaside Oregon**

**June 3 - 5, 2011**

**REGISTER NOW ONLINE AT:  
[www.seapac.org](http://www.seapac.org)**

**OTVARC ADDRESSES:  
880 NE 25th Ave Ste 2-160  
Hillsboro OR 97124-6258  
[otvarc@gmail.com](mailto:otvarc@gmail.com)**